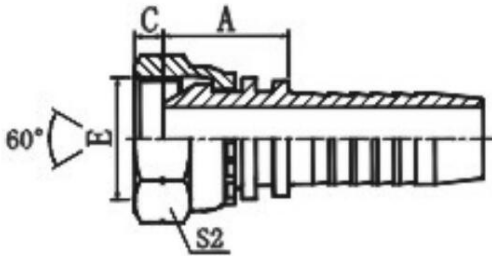




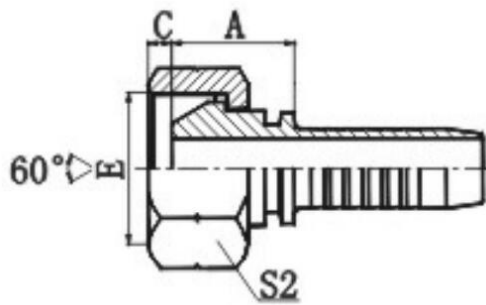
HYDRAULIC HOSE FITTINGS



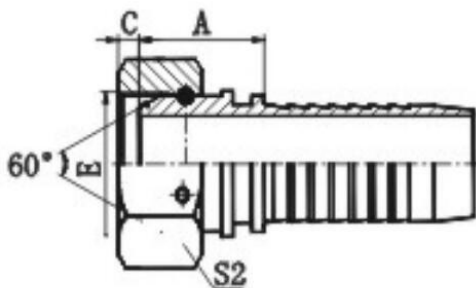
22611 BSP FEMALE 60 DEGREE CONE



22611



22611-T



22611-W

Part No.	THREAD E	HOSE BORE		DIMENSIONS		
		DN	DASH	A	C	S2
22611-02-03	G1/8"X28	5	03	15	5.5	14
22611-02-04	G1/8"X28	6	04	15	5.5	14
22611-04-03	G1/4"x19	5	03	17	5.5	19
22611-04-04	G1/4"x19	6	04	18	5.5	19
22611-04-05	G1/4"x19	8	05	18	5.5	19
22611-04-06	G1/4"x19	10	06	18	5.5	19
22611-06-04	G3/8"x19	6	04	19	6.3	22
22611-06-05	G3/8"x19	8	05	19	6.3	22
22611-06-06	G3/8"x19	10	06	19.5	6.3	22
22611-06-08	G3/8"x19	12	08	19.5	6.3	22
22611-08-06T	G1/2"x14	10	06	21	7.5	27
22611-08-08	G1/2"x14	12	08	21.5	7.5	27
22611-10-08	G5/8"x14	12	08	22	9.5	30
22611-10-10	G5/8"x14	16	10	23.5	9.5	30
22611-12-08T	G3/4"x14	12	08	22	10.9	32
22611-12-10	G3/4"x14	16	10	24	10.9	32
22611-12-12	G3/4"x14	20	12	24	10.9	32
22611-16-12T	G1"x11	20	12	24	11.7	41
22611-16-14	G1"x11	22	14	26	11.7	41
22611-16-16	G1"x11	25	16	27	11.7	41
22611-20-16T	G1.1/4"x11	25	16	27.5	11	50
22611-20-20W	G1.1/4"x11	32	20	30.5	11	50
22611-24-20T	G1.1/2"x11	32	20	32	13	55
22611-24-24W	G1.1/2"x11	40	24	32	13	55
22611-32-24T	G2"x11	40	24	30	16	70
22611-32-32W	G2"x11	50	32	31.9	16	70